

OIL INDIA LIMITED

(A Government of India Enterprise)
P.O. Duliajan, Pin – 786602
Dist-Dibrugarh, Assam

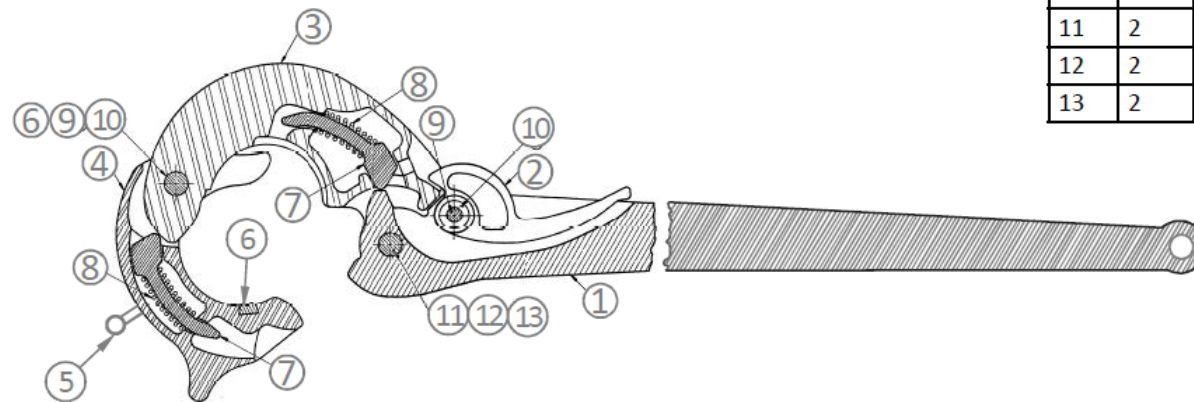
CORRIGENDUM

Amendment No. 1 Dated 02.05.2017
to
Tender No. SSG3637P17/04

This Amendment No.1 dated 02.05.2017 to **Tender No. SSG3637P17/04 for Procurement of Tubing Tong** is issued to incorporate drawing No. OIL/PDNO/P&D/024/A/1of1 as per Annexure IA of NIT as furnished below:

All other Terms & Conditions of the tender remain unchanged.

Sd-
(Manisha Agarwala)
Purchase Officer (FS)
For DGM-Materials



Item	Qty	Description
1	1	Lever
2	1	Lock
3	1	Body
4	1	Jaw Assembly
5	1	Grip
6	1	Die
7	2	Plunger
8	2	Spring
9	1	Pin, Lock
10	1	Lockwasher, Spring
11	2	Pin, hinge
12	2	Nut, Hex Slotted
13	2	Pin, Cotter

Note : Not to scale	OIL INDIA LIMITED PROD (OIL) DEPTT DULIAJAN 786602	Tubing Tong - Snap On Type	DR NO	OIL/PDNO/P&D/024/A/1of1
---------------------	--	----------------------------	-------	-------------------------