

**OIL INDIA LIMITED**  
(A Government of India Enterprise)  
P.O. Duliajan, Pin – 786602  
Dist-Dibrugarh, Assam

**CORRIGENDUM**

**Amendment No. 1 Dated 1.11.2017**  
**to**  
**Tender No. SSG5988P18/01**

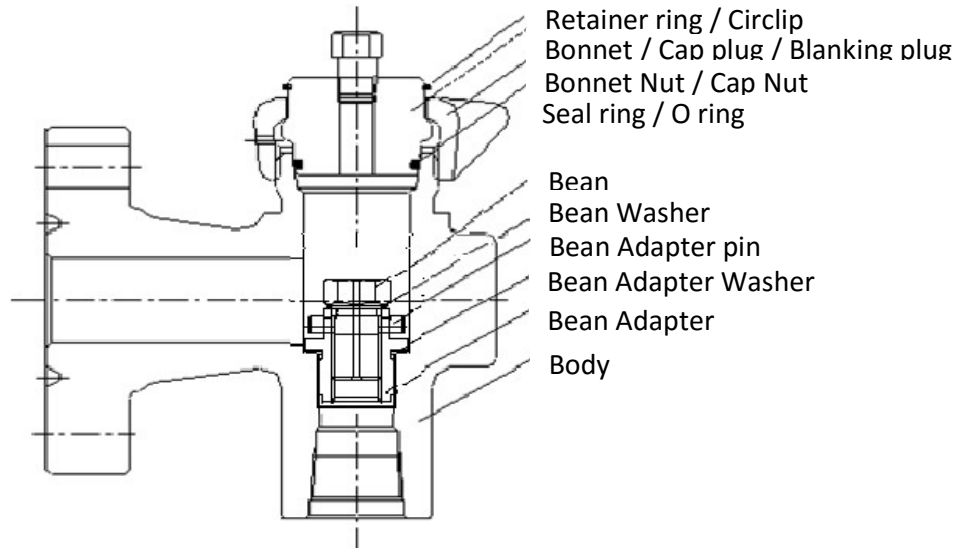
This Amendment No. 1 dated 1.11.2017 to **Tender No. SSG5988P18/01 for Procurement of Christmas Tree Assembly through Rate Contract** is issued to upload the Christmas Tree Assembly drawings (drawing no. OIL/PSS/P&D/035/A) under Amendments folder of Technical Attachments. Bidders are requested to refer the same and submit their bids accordingly.

All other Terms & Conditions of the tender remain unchanged.

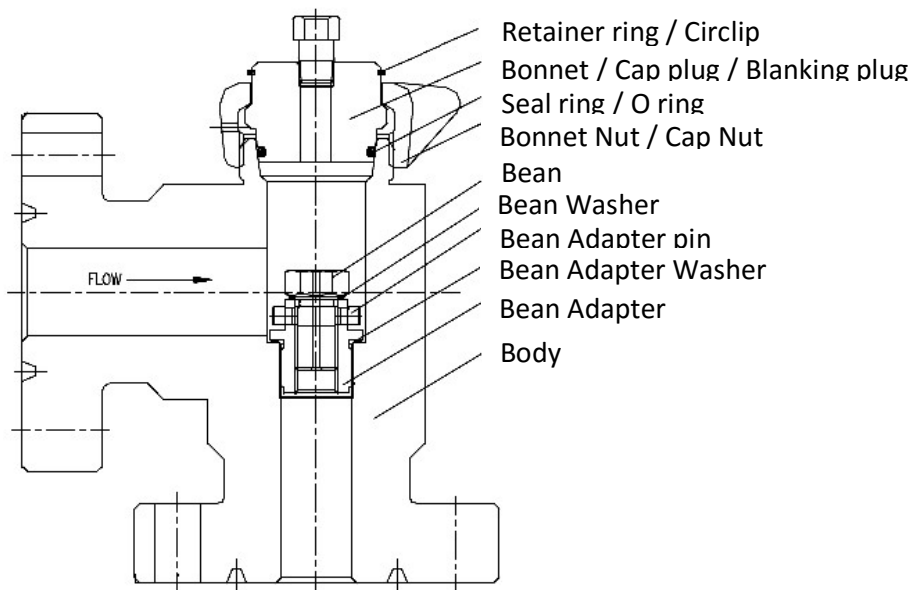
Sd-  
**(B. Mody)**  
**Manager Materials (FS)**  
**For GM - Materials**

## X-MAS TREE CRITICAL COMPONENTS

### A) Positive Choke 5 M

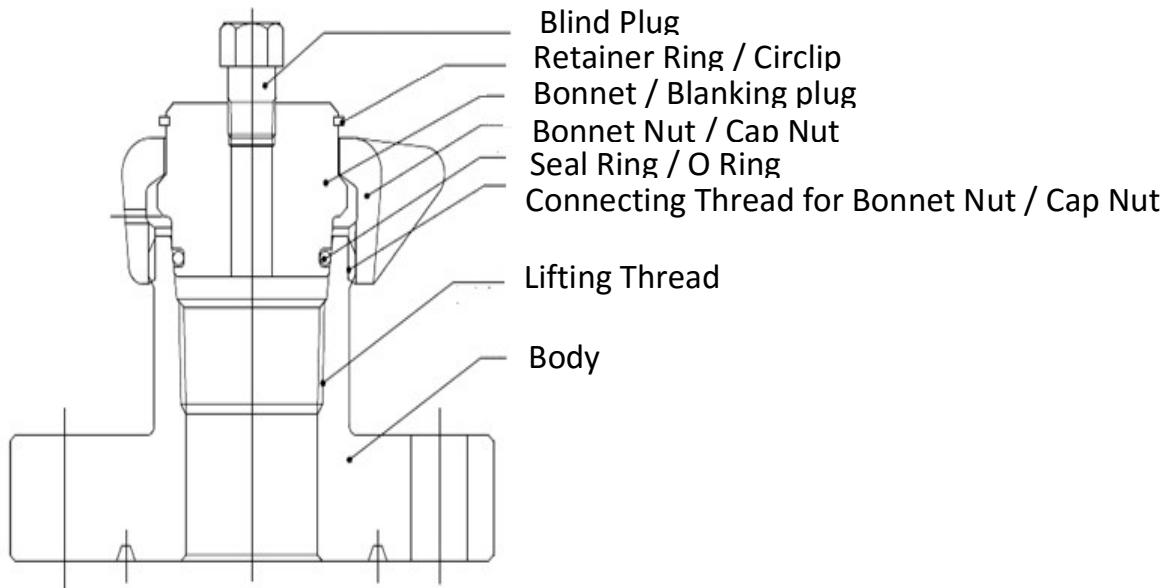


### B) Positive Choke 10 M

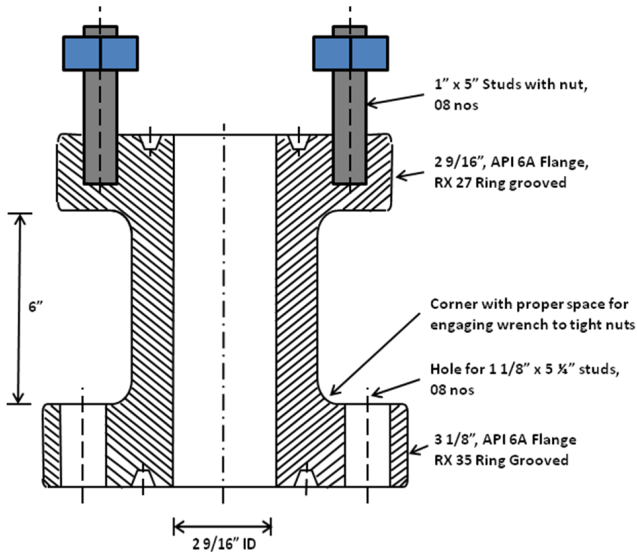




### E) Cap Flange



### F) Adapter Flange 5 M



### G) Adapter Flange 10 M

