

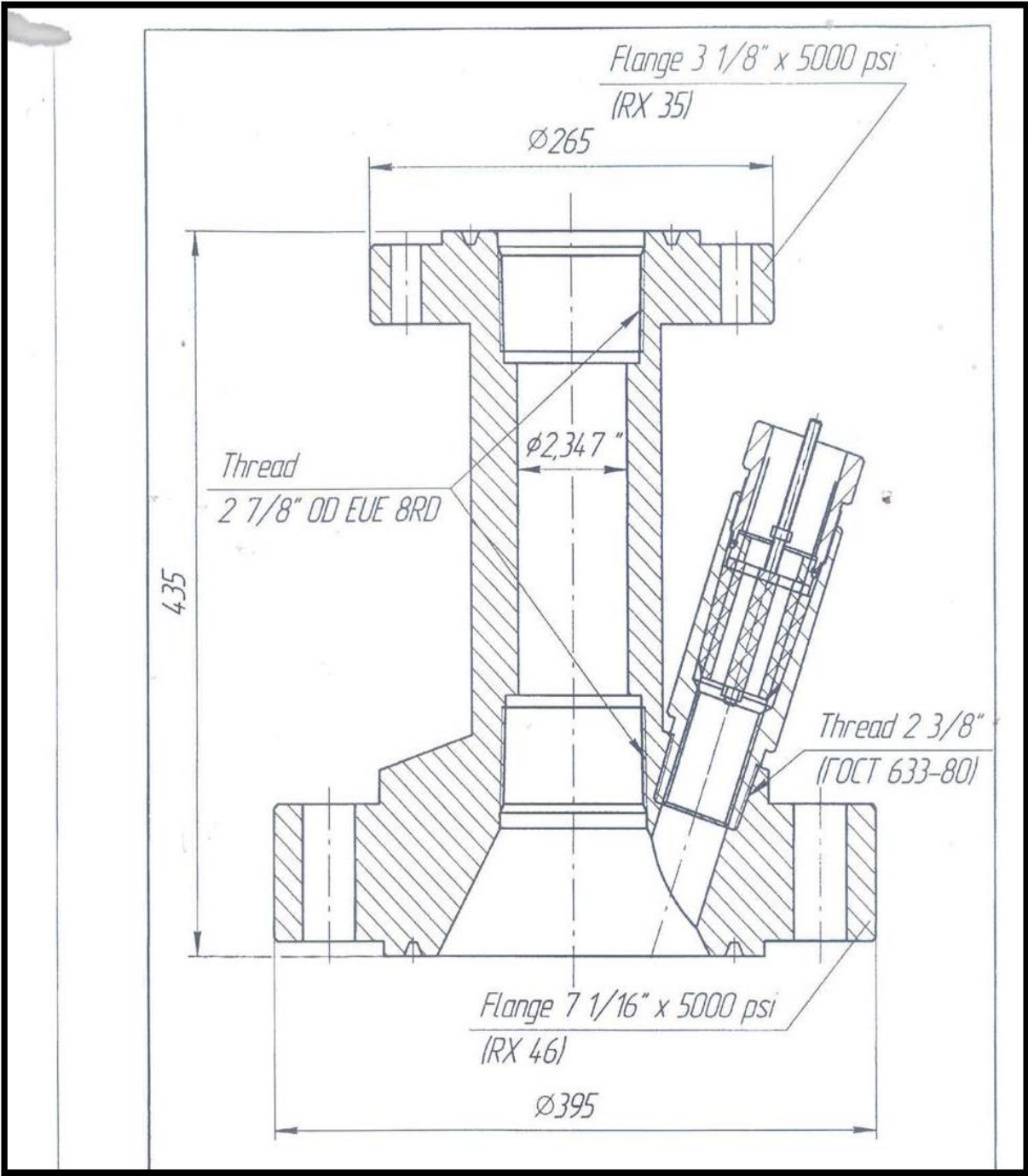
OIL INDIA LIMITED
(A Government of India Enterprise)
P.O. Duliajan, Pin – 786602
Dist-Dibrugarh, Assam

Corrigendum No. 2 dated 14.05.2019 to E-Tender No. CDG0948P19 for ‘Hiring the services of 08 (Eight) nos. Electrical Submersible Pump (ESP) for a period of 03 (Three) years with a provision of Framework Contract to cover the near future requirement’.

This Corrigendum is issued to notify the following changes:

1. Please take note of the following newly uploaded document in the “Amendments” folder in E-portal:
 - Drawing-A

All other terms and conditions of the Bid Document remain unchanged. Details can be viewed at www.oil-india.com.



Tubing Head Adapter Hanger